

# SLIDE RAIL SYSTEMS

## WITH ROLLING STRUTS

MADE  
IN THE  
USA

**AMERICAN**  
**SHORING** INC.



# SLIDE RAIL SHORING SYSTEMS

Our **Slide Rail System**, which uses vertical sheeting trench support technology, replaces conventional wood or steel sheeting applications in ease of use and safety.

When applied, excavation may be shored from ground level to sub grade without soil movement. It is a highly effective system in areas having unfavorable ground conditions or where an existing underground infrastructure would pose difficulties in trench support.

When using the modular Slide Rail System, either with side panel lining plates or in-line sheeting templates, the contractor will find it able to accommodate a variety of job site requirements.

Our versatile Slide Rail System will provide time-tested significant savings in labor and materials.



## SLIDE RAIL TECHNOLOGY...

- ***Provides safety while excavating***
- ***Tight shoring without soil movement***
- ***Lower restorative costs***
- ***Vibration free, no damage to adjacent structures***
- ***Save on equipment - No crane or hammer is required***
- ***Installs with a mid-sized excavator***
- ***Professional engineer certified to OSHA Regulations***
- ***Saves money- finish in a third of the time using half of the labor***
- ***Less material cost than conventional sheeting***

**MADE  
IN THE  
USA**





# SALES • RENTALS • SERVICE

★ **REPAIRS** ★

★ **TRADE-INS** ★

★ **RECERTIFICATION** ★

## *In This Issue...*

### **Slide Rail Shoring Systems**

- Rolling Strut Advantage .....Pg. 4
- Innovative Trench Shoring .....Pg. 5
- Single Slide Rail .....Pg. 6
- Double Slide Rail .....Pg. 7
- Mega Struts-Max Clearance .....Pg. 8
- Triple Slide Rail .....Pg. 9
- Tight Sheeting Applications .....Pg. 10
- Tight Sheeting-More Configurations .....Pg. 12
- Boring & Jacking Pit Strategies .....Pg. 14
- Metro Project Photos .....Pg. 15
- Aluminum Slide Rail .....Pg. 16
- Strike Plate Technology .....Pg. 17
- Low Impact Environmental Management ...Pg. 18
- Remediation Systems .....Pg. 19



## ***Training by the Best***

Our goal at American Shoring Inc. is not only to be the best Trench Shoring Sales/Rental Company in the Industry, but to share our knowledge of the industry through safety awareness training. This training is designed for all persons associated with excavation safety and confined spaces.

At American Shoring Inc., we regard employee and customer safety a priority and offer Competent Person, Confined Space and OSHA 10 and OSHA 30 classes.

An effective safety program is the key to safety awareness which promotes not only safe practices but develops a progressive and productive organization, as well as avoidance of major OSHA fines. Please contact us for the next available training date and location. Thank you in advance for considering not only the safety of your employees, but also for the gift of returning them home to their families safely.



**AMERICAN  
SHORING INC.**

**1.800.407.4674**

**[www.americanshoring.com](http://www.americanshoring.com)**

# The Rolling Strut<sup>TM</sup> Advantage

**Rolling Struts<sup>TM</sup>** allow the slide rails to be driven independently as you dig. Solid rollers ride on outer face of the rails and they are guaranteed not to bind like "frame work" or "carts" provided by other manufacturers.

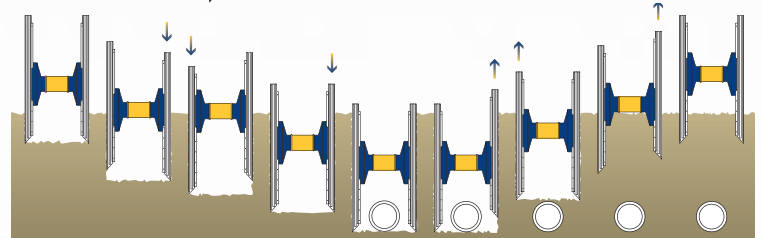
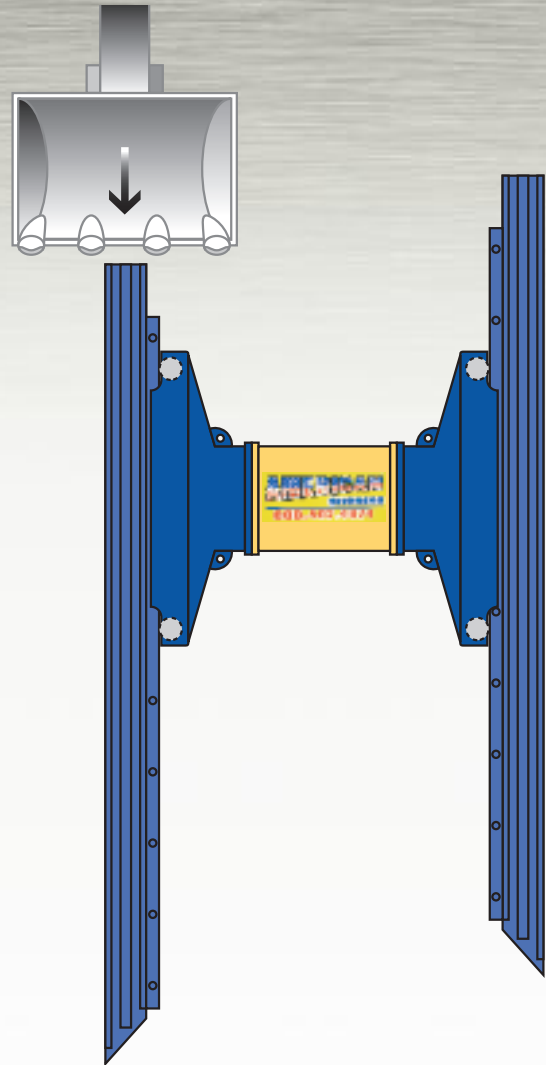
The Rolling Struts keep the Slide Rails apart and parallel to one another- the results: no voids unlike the superceded designs.

Our strong offset design struts offer more boom clearance while digging between bays.

- **One Strut System**
- **Our Entire System Moves**
- **Strongest Rails and Struts in the industry**
- **Maximum Clearances**
- **All new series STRIKE PLATES**
- **Reinforced Panel Designs have optional Wheel Ends**
- **Advance panels by direct bucket contact**
- **Maximum Cantilevers**
- **Parallel Drive- also means:  
No Rocking  
No Soil Movement**

## **ALL THIS YET...**

- **Competitively Priced**
- **Available for Sale or Rent**
- **P.E. certified to OSHA regulations  
site specific engineering available**
- **Field service and/or supervision  
with on site assembly and  
take down**



## **IT COULDN'T BE EASIER!**

**When rolling strut removal is required, just remove top limit pins and pull out...**

**NO Nuts, Bolts, Wrenches or Mechanics are Required!**

**Field service and supervision are available. Unique shoring components are only a phone call away!**



# Innovative Trench Shoring

*Rolling Struts™ retains shoring strength while  
providing maximum clearance*



Shown above is an installation of a 23'D x 12'H x 10'W precast concrete box culvert using Mega Rolling Strut™ Slide Rail with a clearance of 16' under the cross brace for the NYCDEP in Brooklyn, NY.



Shown above is an installation of duct banks using our Rolling Strut™ Slide Rail System for Public Service Electric & Gas at Linden, New Jersey generating plant expansion project.

**AMERICAN  
SHORING INC.**

**1.800.407.4674**  
[www.americanshoring.com](http://www.americanshoring.com)



# Single Slide Rail

- **For trenches to 14' deep, widths from 3' to 12' wide any length or combination of plates from 6' to 36' long**
- **Provides safety while excavating**
- **Vibration free; no damage to adjacent structures**
- **Tight sheeting without soil movement**
- **Highly effective system in areas having unfavorable ground conditions**
- **Installs with a mid-sized excavator**
- **Finishes in a third of the time using half the labor**
- **Any configuration is possible**
- **Now available in Aluminum (see page 16)**



**Vertical sheeting and trench support system replaces conventional application of wood or steel sheeting**



# Double Slide Rail

- *For trenches to 28' deep x any width x any length*
- *Simply drag and push the modular components to the desired depth*
- *This is a vibration free method of tight shoring*

## *Proven uses:*

- *Power Plants*
- *Refineries*
- *Congested city streets*
- *All industrial applications*
- *UST installation and more.....*

*Does it sound complicated? It's not!  
Our trained installers will show your  
crew what to do.*



*Vertical sheeting and trench  
support system for sewer,  
water, structure, foundations  
and soil remediation*

**AMERICAN  
SHORING INC.**

**1.800.407.4674**  
[www.americanshoring.com](http://www.americanshoring.com)



# Mega Struts *36' LONG PANELS AVAILABLE* For Max Clearance

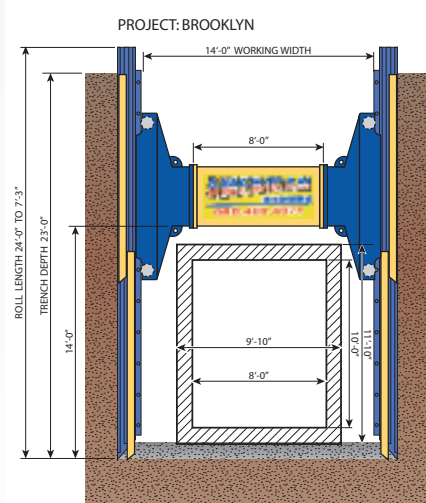
**Mega Rolling Struts™ provide maximum clearance under cross braces**

American Shoring Inc.'s Rolling Strut™ Slide Rail systems replace out of date fixed brace shoring systems as well as "frame work" spreaders on rollers. Our whole system moves.

The versatile Rolling Strut™ cantilever cross brace is positioned near the bottom of the vertical support rails to keep it from obstructing the operator's view during installation. Once the digging is done and the shoring is down to grade the cantilever brace is rolled up and pinned in place.

This provides maximum clearance under the brace before the excavator backs up and installs the next section. With the "Mega" Double Slide Rail System excavations up to 24' deep can have 16' of clearance under the brace for installation of box culverts, large diameter pipe, structures or tanks.

American Shoring, Inc. rents and sells Rolling Strut Slide Rail systems nation wide for depths up to 40' deep.



**Above:** installation of a 23'D x 12'H x 10'W precast concrete box culvert using Mega Rolling Strut Slide Rail with a clearance of 16' under the cross brace for the NYCDEP in Brooklyn, NY.



## Large Four Sided Pit Shoring

Form work for cast in place underground storage structure.



# Triple Slide Rail

- *For trenches to 40' deep x any width x any length*
- *Replaces conventional application of wood or steel sheeting*
- *Provides safety while excavating*
- *Vibration free; no damage to adjacent structures*
- *Tight sheeting without soil movement*
- *Highly effective system in areas having unfavorable ground conditions*
- *Installs with a mid-sized excavator*
- *Finishes in a third of the time using half the labor*
- *Any configuration is possible using combinations of single, double or triple slide rails*



***Vertical sheeting and trench support system for large OD pipe, box culverts and structures***

**AMERICAN SHORING INC.**

**1.800.407.4674**  
**[www.americanshoring.com](http://www.americanshoring.com)**

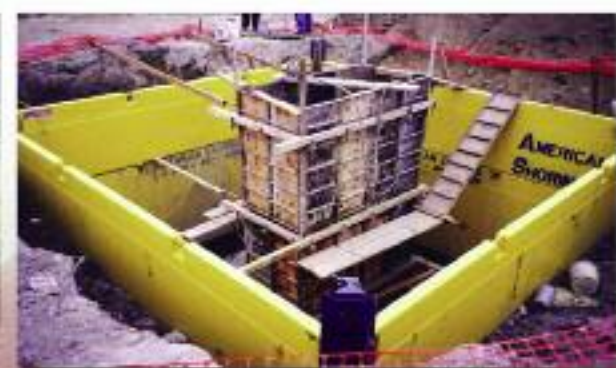
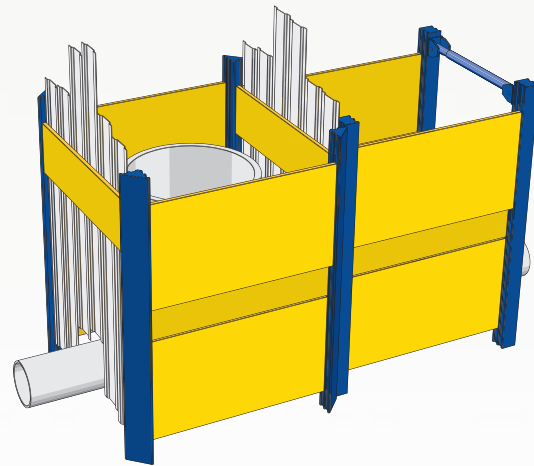
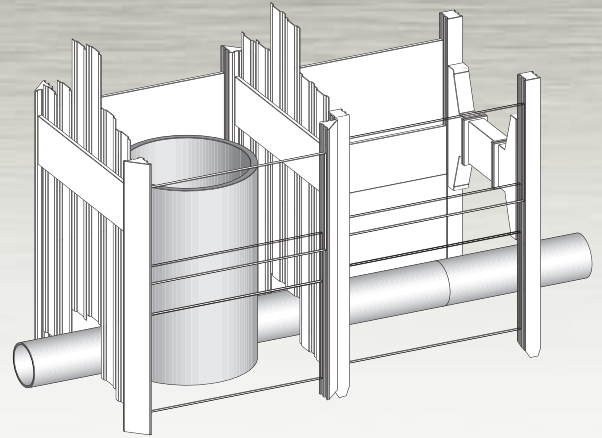


# Tight Sheeting Applications

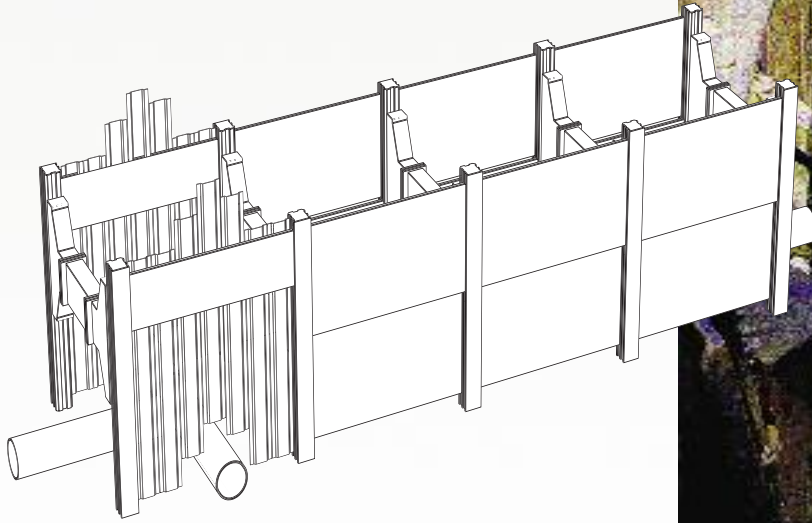
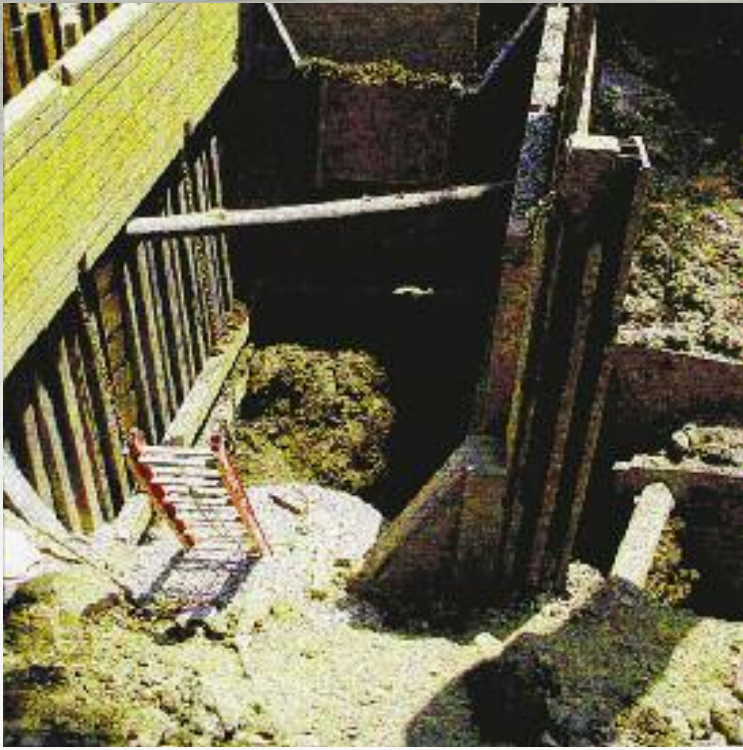
*Flexibility of design allows unlimited adaptations to accommodate a variety of sheeted excavation requirements.*

## **USE SLIDE RAIL TIGHT SHEETING FOR:**

- *Pre-cast and cast in place structures*
- *Concrete walls and footings*
- *Retaining walls and footings*
- *Seepage basins*
- *Culverts*
- *Pump stations*
- *Deep manholes*
- *Tank installation or removal*
- *Boring and jacking operations*
- *Pipeline installation*
- *Foundation waterproofing and more*







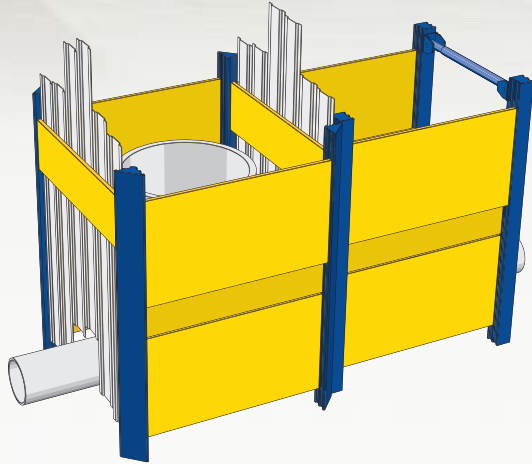
*From Design to Delivery, your perfect shoring solution is only a phone call away!*

**AMERICAN SHORING** INC.  
1.800.407.4674  
[www.americanshoring.com](http://www.americanshoring.com)



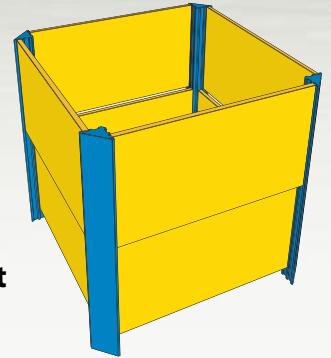
# Tight Sheeting More Configurations

***Our Slide Rail System with Rolling Struts may be used in most excavating applications.***

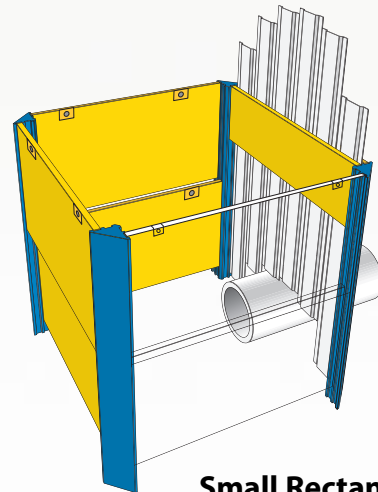


**Linear Tight Shoring System utilizing in line Utility Crossing Frame**

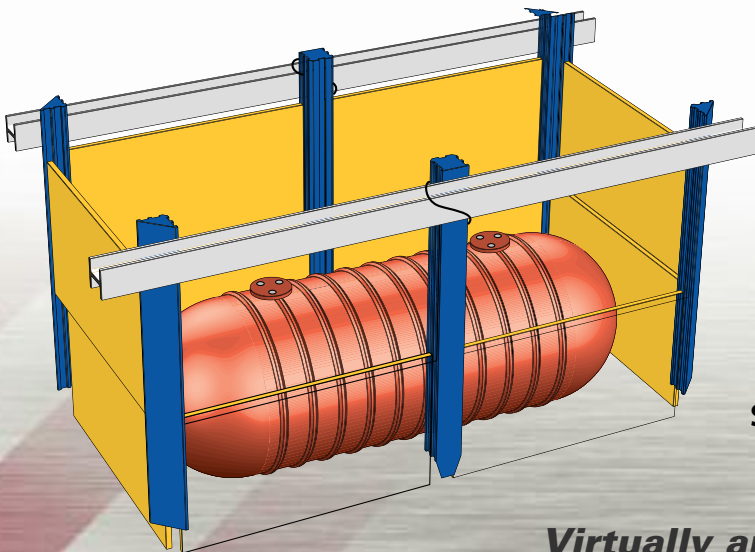
***This design provides more pipe clearance than any other system.***



**Small Rectangular Pit closed all four sides**



**Small Rectangular Pit with sheeting on one (or both) ends**



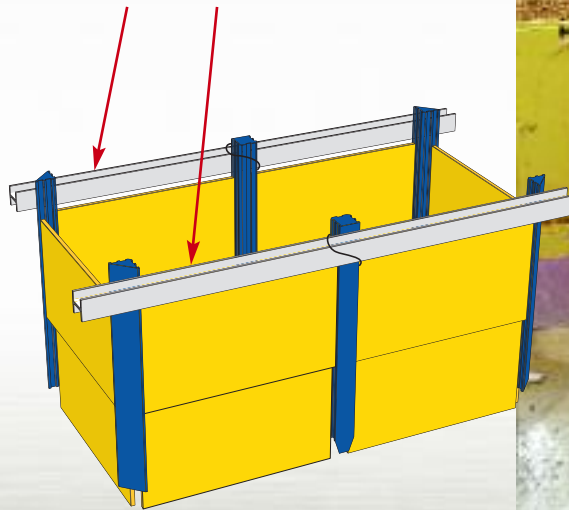
**Two Bay Sheeted Pit**

***Virtually any configuration is possible using combinations of single, double or triple slide rails, corner rails, side panels and in-line sheeting templates.***





Walers are used for side support when clear span requirements are needed.



*Telescoping step down systems using 90° corner posts makes it easy!*

**AMERICAN SHORING INC.**

**1.800.407.4674**  
[www.americanshoring.com](http://www.americanshoring.com)



# Boring & Jacking Pit Strategies

- ***Our system provides all the shoring components needed for maximum safety while jacking or boring***
- ***Any configuration of openings may be designed specifically for your jack or boring operations***
- ***Highly effective system in areas having unfavorable ground conditions such as soft clay, gravel, sand, etc.***
- ***Any configuration is possible using combinations of single, double or triple slide rails***



- ***Tight sheeting provides vibration free installation preventing damage to adjacent structures***
- ***Installs with a mid-sized excavator***
- ***Finishes in a third of the time using half the labor***







# Metrorail Project



**AMERICAN SHORING INC.**

**1.800.407.4674**  
[www.americanshoring.com](http://www.americanshoring.com)



# Aluminum Slide Rail™

**Our newest innovation-  
Aluminum Slide Rail™  
allows installation with  
light rubber tire backhoes**

Yet, this system provides the shoring capabilities that is needed using our high strength **STRIKE PLATE™** panel technology.

In the field, it's performance retain the same modular features as our diverse steel **Slide Rail / Rolling Strut™ System.**



**To find out if this system is applicable to your project just contact an experienced American Shoring specialist!**

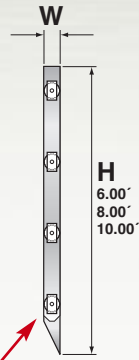
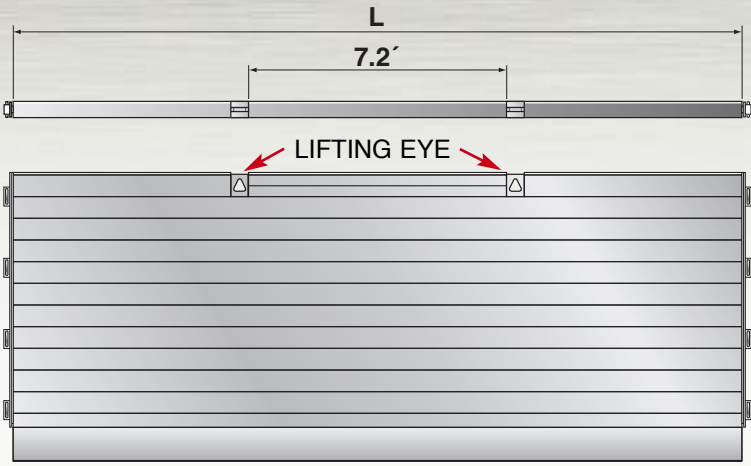
## ALLOWABLE MOMENT- FT. LBS. 50, 820

MODEL	LENGTH (FT.)	CAP. (PSF)	A	B	C1 (50)	C2 (65)	C3 (80)
ASP 6.56	6.56	3442	496	276	259	195	158
ASP 8.20	8.20	2754	318	176	166	125	101
ASP 9.84	9.84	2295	221	123	115	87	70
ASP 11.56	11.56	1967	162	90	84	64	52
ASP 13.12	13.12	1721	124	69	65	49	39
ASP 14.76	14.76	1528	98	54	51	38	31
ASP 16.48	16.48	1370	79	44	41	31	25
ASP 18.04	18.04	1252	66	36	34	26	20
ASP 19.6	19.685	1177	59	32	30	23	18
ASP 20.50	20.50	1102	51	28	26	20	16





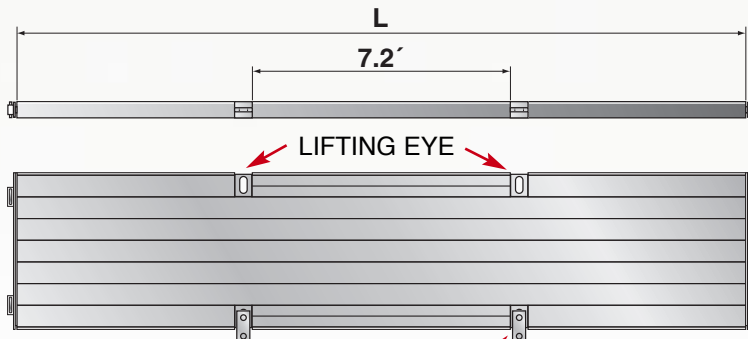
# STRIKE PLATE™ TECHNOLOGY



**STRIKE PLATE™ with new "Cutting Edge" panel technology, withstands forces applied from all directions!**

Proven high strength and light weight, the design features provide tight shoring, safety and containment with ease of handling. Optional Wheel Ends add to the already time and cost saving benefits.

OPTIONAL WHEEL ENDS



Extension panels work efficiently to increase your pit depth and provide an advantage in step by step procedures.

Utilizing pins, fast and easy connecting "H" brackets allow for safe, secure handling of panels without special tools.

"H" BRACKET EXTENSION CONNECTORS WITH INSIDE KEEPERS



**AMERICAN SHORING INC.**

**1.800.407.4674**  
[www.americanshoring.com](http://www.americanshoring.com)



# Low Impact Environmental Management

**American Shoring Slide Rail Systems sustain high efficiency work flow with low environmental impact**

Working safely and quickly, our versatile Rolling Strut™ Slide Rail systems are the choice for environmentally sensitive projects.

Deep and narrow trench work allow backhoes, loaders and road finishing equipment to operate on narrow roadways with the minimum of environmental impact.

On going, lengthy excavations such as deep sewer lines realize the benefit of our slide rail system when encountering existing utility crossings. It's modular design accommodates specialized shoring components without the expense of changing systems.



Neighborhood friendly Slide Rail System in action within a Staten Island community.





# Remediation Systems

- **American Shoring's Slide Rail Systems allows the environmental contractor to tackle the toughest remediation jobs.**
- **Our unique four-sided rail is designed to let the contractor proceed in any direction from the starting point.**
- **It is a true four-sided rail fabricated with a convenient, retractable, lifting ring for easy handling and installation.**
- **Eliminates the need to remove the entire Slide Rail pit and reset it.**
- **Allows continuation of remediation work while leaving the starting pit in place simply by adding panels in whichever direction you wish to proceed.**
- **Our four-sided rails are available in several lengths and can be used on the deepest remediation sites.**
- **Built to take on the toughest job site conditions**
- **Field proven by environmental contractors throughout the country.**



**AMERICAN  
SHORING INC.**

**1.800.407.4674**  
**[www.americanshoring.com](http://www.americanshoring.com)**



# Made in the USA



## From **Design**™ to **Delivery**

Ask About Our  
Steel and Aluminum  
Trench Shield Catalogs!



### **American Shoring is the Leader in High Quality, Modular Trench Shoring**

American Shoring manufactures, sells and rents the world's most complete line of trench shoring equipment. From ultra light aluminum shoring, which may be handled by hand, to giant heavy duty trench boxes and slide rail sheeting replacement systems- no one has more product knowledge or ingenuity than the people at American Shoring.

Our staff is waiting for your call with professional advice to recommend the best specific product for your project.

Field service support and supervision available with on site assembly and take down.

All systems are manufactured in the USA.

Mighty Lite®  
Aluminum  
Systems



The Versatile "Z" Box



Rock Boxes



Large Steel Shields



Manhole Boxes



Gas Tap Box  
with extended  
sheeting

**We Invite Comparisons!  
When You Compare...We Win!**

- ★ SALES AND RENTALS ★
- ★ REPAIRS ★
- ★ RE-CERTIFICATION ★
- ★ TRADE-INS ★

**COMPETENT PERSON AND  
O.S.H.A. TRAINING SEMINARS!**

# **AMERICAN SHORING INC.**

## **1.800.407.4674**

207 Lake Street, Newburgh, NY 12550

E-Mail us at

**[sales@americanshoring.com](mailto:sales@americanshoring.com)**

Visit our website at

**[www.americanshoring.com](http://www.americanshoring.com)**

### **DISTRIBUTION**

*In New England*

**American Shoring of Massachusetts, Inc.**

**226 Cherry Street**

**Shrewsbury, Mass 01545**

**508-842-2822**

**Fax: 508-842-2824**