

Water Tap Boxes



**Available in
Light Weight Steel or
Ultra Light Aluminum**

3" STEEL WATER TAP BOX (FOUR-SIDED SINGLE WALL)

MODEL	SIZE			WEIGHT (LBS)	SHIELD CAP (PSF) TYPE C SOIL	MAXIMUM DEPTH-FT.			
	H	L	W			A	B	C-60	C-80
SWT-666	6'	6'	6'	2150	1020	34	21	17	13
SWT-646	6'	4'	6'	2025	1020	34	21	17	13
SWT-466	4'	6'	6'	1950	1140	38	24	19	14
SWT-446	4'	4'	6'	1925	1140	38	24	19	14

3" STEEL STACKING UNITS FOR WATER TAP BOX

MODEL	SIZE			WEIGHT (LBS)	SHIELD CAP (PSF) TYPE C SOIL	MAXIMUM DEPTH-FT.			
	H	L	W			A	B	C-60	C-80
SWTX-466	4'	6'	6'	1950	900	34	20	15	11
SWTX-446	4'	4'	6'	1925	900	34	20	15	11
SWTX-266	2'	6'	6'	1200	900	34	20	15	11
SWTX-246	2'	4'	6'	1170	900	34	20	15	11

3" ALUMINUM WATER TAP BOX (FOUR-SIDED SINGLE WALL)

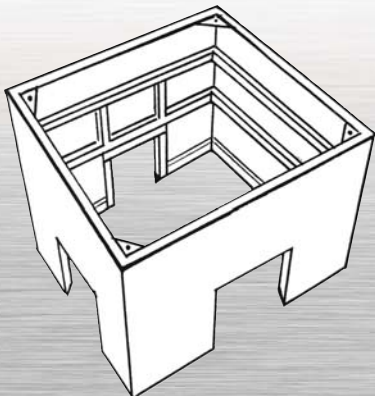
MODEL	SIZE			WEIGHT (LBS)	SHIELD CAP (PSF) TYPE C SOIL	MAXIMUM DEPTH-FT.			
	H	L	W			A	B	C-60	C-80
AWT-666	6'	6'	6'	1400	900	34	20	15	11
AWT-646	6'	4'	6'	1300	900	34	20	15	11
AWT-466	4'	6'	6'	1250	1020	34	21	17	13
AWT-446	4'	4'	6'	1300	1020	34	21	17	13

3" ALUMINUM STACKING UNITS FOR WATER BOXES

MODEL	SIZE			WEIGHT (LBS)	SHIELD CAP (PSF) TYPE C SOIL	MAXIMUM DEPTH-FT.			
	H	L	W			A	B	C-60	C-80
AWTX-466	4'	6'	6'	1300	780	29	17	13	10
AWTX-446	4'	4'	6'	1250	780	29	17	13	10
AWTX-266	2'	6'	6'	800	780	29	17	13	10
AWTX-246	2'	4'	6'	785	780	29	17	13	10

This Water Tap Box features 24" x 24" cutouts with optional doors on all four sides allowing clearance for access to service lines. This Water Tap Box is a single-wall design constructed with steel. The design provides a lightweight unit for easy handling by small equipment. Lifting holes on each corner allows easy loading and unloading. Additional stacking units are available to increase protection for deeper service lines.

- ★ **Professional Engineer Certified**
- ★ **Cutouts with optional sliding doors**
- ★ **Allows clearance for access to service lines**
- ★ **Lifting holes provided**
- ★ **Stackable**
- ★ **Custom sizes available**




**AMERICAN
SHORING INC.**
1.800.407.4674
www.americanshoring.com